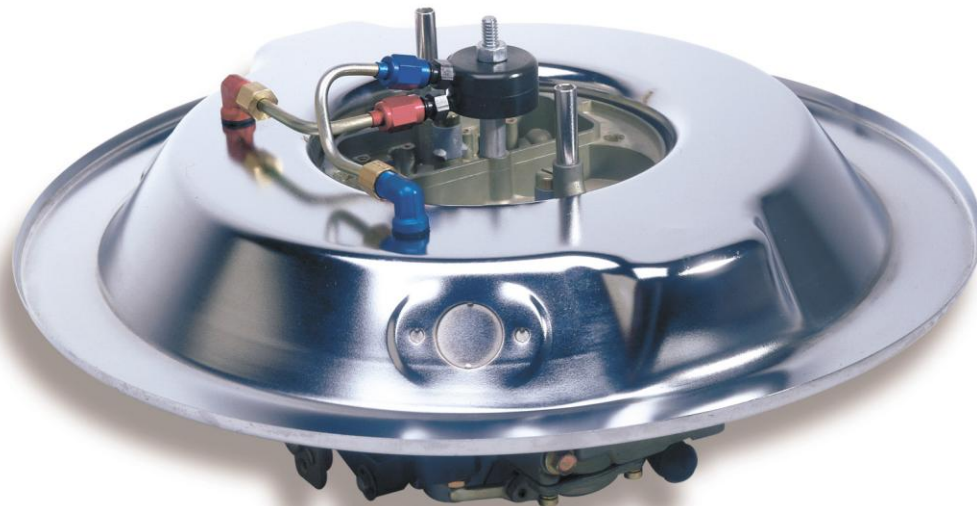




P/N A5062-SNOS

# **TOP SHOT**

Kit Number 05090NOS  
Top Shot Plate Kit – 13400NOS



## **OWNER'S MANUAL**

*The Top Shot Nitrous system is the easiest NOS kit to install. What's more, the system can be concealed within the air cleaner assembly. The nitrous and fuel mixture is simply injected directly down into the top of the carburetor. The injector module slides over the carburetor / air filter stud without having to remove the carburetor. What could be easier? The Top Shot module requires no additional clearance where other systems may. The Top Shot utilizes nitrous and fuel flare jets, which are adjustable to produce impressive power gains from 75 to 150 HP for stock or modified performers with complete reliability. For performance and ease of installation, the Top Shot is an excellent choice!*

**NOTICE: Installation of Nitrous Oxide Systems Inc. products signifies that you have read this document and have agreed to the terms stated within.**

It is the purchaser's responsibility to follow all installation instruction guidelines and safety procedures supplied with the product as it is received by the purchaser to determine the compatibility of the product with the vehicle or the device the purchaser intends to install the product on.

Nitrous Oxide Systems Inc. assumes no responsibility for damages occurring from accident, misuse, abuse, improper installation, improper operation, lack of reasonable care, or all previously stated reasons resulting from incompatibility with other manufacturers' products.

Nitrous Oxide Systems Inc. assumes no responsibility or liability for damages incurred by the use of products manufactured or sold by Nitrous Oxide Systems Inc. on vehicles used for competition or racing.

Nitrous Oxide Systems Inc. neither recommends nor condones the use of products manufactured or sold by Nitrous Oxide Systems Inc. on vehicles, which may be driven on public roads or highways, and assumes no responsibility for damages incurred by such use.

NOS nitrous oxide is legal for use in most states when used in accordance with state and local traffic laws. NOS does not recommend or condone the use of its products in illegal racing activities.

NOS has not pursued California Air Research Board (CARB) exemptions for these kits, hence, they are not legal for use on pollution-controlled vehicles in California. A correctly installed NOS nitrous system should not alter the emission control performance of your vehicle under standard EPA test cycle conditions.

**NOTICE: The NOS Top Shot System Kit is not intended for use on hatchback type vehicles without the use of NOS part numbers 16160NOS (External Aluminum Blow-Down Tube) and 16166NOS (Racer Safety Pressure Relief Cap).**

## **HAZARDS DEFINED**

This manual presents step-by-step instructions that describe the process of installing your NOS Nitrous Oxide Injection System. These procedures provide a framework for installation and operation of this kit. Parts are referenced by name and number to avoid confusion. Within the instructions, you are advised of potential hazards, pitfalls, and problems to avoid. The following examples explain the various hazard levels:

**WARNING! Failure to comply with instructions may result in injury or death.**

**CAUTION! Failure to comply with instructions may result in damage to equipment.**

**NOTE:** This information is important, needs to be emphasized, and is set apart from the rest of the text.

**HINT:** These special instructions provide a handy work tip.

## **NITROUS OXIDE INJECTION SYSTEM SAFETY TIPS**

### **WARNINGS**

**Do not attempt to start the engine if the nitrous has been injected while the engine was not running. Disconnect the coil wire and turn the engine over with the throttle wide open for several revolutions before attempting to start. Failure to do so can result in extreme engine damage.**

**Never permit oil, grease, or any other readily combustible substances to come in contact with cylinders, valves, solenoids, hoses, and fittings. Oil and certain gases (such as oxygen and nitrous oxide) may combine to produce a highly flammable condition.**

**Never interchange nitrous and fuel solenoids. Failure to follow these simple instructions can result in extreme engine damage and/or personal injury.**

**Never drop or violently strike the bottle. Doing so may result in an explosive bottle failure.**

**Never change pressure settings of safety relief valve on the nitrous bottle valve. Increasing the safety relief valve pressure settings may create an explosive bottle hazard.**

**Identify the gas content by the NOS label on the bottle before using. If the bottle is not identified to show the gas contained, return the bottle to the supplier.**

**Do not deface or remove any markings, which are on the nitrous bottle.**

**Nitrous bottle valves should always be closed when the system is not being used.**

Notify the supplier of any condition, which might have permitted any foreign matter to enter the valve or bottle.

Keep the valves closed on all empty bottles to prevent accidental contamination.

After storage, open the nitrous bottle valve for an instant to clear the opening of any possible dust or dirt.

It is important that all threads on the valves and solenoids are properly mated. Never force connections that do not fit properly.

**CONGRATULATIONS** on purchasing your NOS Nitrous Oxide Injection System. Your system is composed of the highest quality components available. It should provide many miles of trouble-free performance when used correctly. If you have any questions regarding the performance of your system, call NOS Technical Service at 1-866-GOHOLLEY.

## TABLE OF CONTENTS

What is Nitrous Oxide?.....	4
Do's and Don'ts of Nitrous Oxide.....	4
Chapter 1 Introduction to Your NOS Nitrous Oxide Kit.....	4
1.1 General Information.....	4
1.2 Top Shot System Requirements.....	5
1.3 Kit Components.....	5
Chapter 2 Kit Installation.....	6
2.1 Bottle Mounting Instructions.....	6
2.1.1 Street Vehicles.....	6
2.1.2 Racing Vehicles.....	7
2.2 Bottle Orientation.....	7
2.3 Bottle Installation.....	7
2.4 Top Shot Module Installation.....	8
2.5 Solenoid Installation.....	9
2.5.1 Nitrous Bulkhead Installation.....	9
2.5.2 Fuel Bulkhead Installation.....	10
2.5.3 Nitrous Solenoid Installation.....	10
2.5.4 Fuel Solenoid Installation.....	10
2.6 Nitrous Feed Line Mounting.....	10
2.7 Auxiliary Fuel Line Installation.....	11
2.8 Electrical System Installation.....	11
Chapter 3 Baseline Tuning Suggestions.....	13
Chapter 4 Preparing for Operation.....	13
Chapter 5 Advanced Tuning for Maximum Power.....	14
5.1 Optimum Nitrous/Fuel Jetting.....	14
5.1.1 Determining Optimum Nitrous/Fuel Jetting.....	14
5.1.2 Determining Optimum Ignition Timing.....	15
Chapter 6 Routine Maintenance.....	15
6.1 Nitrous Solenoid Filter.....	15
6.2 Nitrous Solenoid Plunger.....	16
6.2.1 General Information.....	16
6.2.2 Nitrous Solenoid Plunger Disassembly & Inspection.....	16
Appendix A Troubleshooting Guide.....	18
Nitrous Oxide Accessories.....	20

## LIST OF FIGURES AND TABLES

Figure 1 Top Shot System Kit Components.....	6
Figure 2 Nitrous Bottle Siphon Tube Orientation.....	7
Figure 3 Nitrous Bottle Mounting Orientation.....	7
Figure 4 Top Shot Assembly Drawing.....	8
Figure 4A Top Shot Module Mounting Height.....	9
Figure 5 Throttle Microswitch Installation.....	12
Figure 6 Wiring Schematic.....	12
Figure 7 Spark Plug Condition.....	14
Figure 8 Exploded View of Typical Solenoid.....	17

Table 1 Jetting and Power Levels.....	5
Table 2 Top Shot Parts List.....	5
Table 3 Suggested Baseline Tuning Combinations.....	13

## WHAT IS NITROUS OXIDE?

### NITROUS OXIDE...

...Is a cryogenic gas composed of nitrogen and oxygen molecules

...Is 36% oxygen by weight

...Is non-flammable by itself

...Is stored as a compressed liquid

...Exists in two grades—U.S.P. and Nitrous Plus:

- U.S.P. is medical grade nitrous oxide; its common use is dental and veterinary anesthesia. It is also commonly used as a propellant in canned whipped cream. U.S.P. is not available to the public.
- Nitrous Plus differs from U.S.P., in that it contains trace amounts of sulphur dioxide added to prevent substance abuse. Nitrous Plus is intended for automotive applications and is available for sale to the public

In automotive applications, Nitrous Plus and fuel are injected into the engine's intake manifold, which produces the following results:

- Lowers engine intake air temperature, producing a dense inlet charge.
- Increases the oxygen content of the inlet charge (air is only 22 percent oxygen by weight).
- Increases the rate at which combustion occurs in the engine's cylinders.

## Do's and Don'ts of Nitrous Oxide

### Do's

- Read all instructions before attempting to install your NOS nitrous system.
- Make sure your fuel delivery system is adequate for the nitrous jetting you have chosen. Inadequate fuel pressure or flow will result in engine damage.
- Use 14 gauge (minimum) wire when installing electrical system components.
- Use high-quality connections at all electrical joints.
- Use Teflon-based paste on pipe style fittings.
- Make sure your engine and related components (ignition, carburetor, and driveline) are in proper working condition.
- If nitrous is accidentally injected into the engine when it is not running, remove the engine coil wire, open the throttle, and crank the engine 10 to 15 seconds before starting. Failure to do so can result in an explosive engine failure.**
- Use your NOS nitrous system only at wide-open throttle and at engine speeds above 3000 RPM.**
- Install a proper engine to chassis ground. Failure to do so may result in an explosive failure of the main nitrous supply line.**
- Use a high-quality fuel, as suggested in Chapter 3, Baseline Tuning Suggestions.

### Don'ts

- Engage your nitrous system with the engine off. Severe engine damage can occur.
- Modify NOS nitrous systems (if you need a non-stock item, call NOS Technical Service for assistance)
- Overtighten AN type fittings.
- Use Teflon Tape on any pipe threads. Pieces of Teflon tape can break loose and become lodged in nitrous or fuel solenoids or solenoid filters. Debris lodged in a nitrous or fuel solenoid can cause catastrophic engine failure.



- Use sealant of any kind on AN type fittings.
- Allow nitrous pressure to exceed 1100 psi. Excessive pressure can cause swelling or in extreme cases failure of the nitrous solenoid plunger. Solenoid plungers are designed so that pressure-induced failures will prevent the valve from operating. No leakage should occur with this type of failure.
- Inhale nitrous oxide. Death due to suffocation can occur.**
- Allow nitrous oxide to come in contact with skin. Severe frostbite can occur.**
- Use octane boosters that contain methanol. Fuel solenoid failure may occur, producing severe engine damage.

## Chapter 1 Introduction to your NOS Nitrous Oxide Kit

### 1.1 General Information

NOS Top Shot System Kits 05090NOS is intended for use on domestic V8 engines that use one 4 bbl carburetor with mechanical secondaries. This system can be used with vacuum secondary Holley carburetors, provided that the nitrous is not activated until the secondaries are open. This system should not be used with Rochester Quadrajets or Carter vacuum secondary carburetors.

Horsepower and torque increases will vary with engine displacement and modification. Approximate power increase estimates can be made based on the mass flow of nitrous oxide into the engine. Three jetting kits are supplied with this system kit to allow you to vary your engine's power output. On a typical mildly modified 350 cubic inch engine, you can expect the following approximate power gains for each of the four jetting combinations:

**Table 1 Jetting and Power Levels**

Nitrous/Fuel Jetting	Approximate Power Gain	Approximate N <sub>2</sub> O Consumption Rate
47/53	100 HP	1.00 lbs./10 sec.
55/61	125 HP	1.25 lbs./10 sec.
73/82	150+ HP	1.50 lbs./10 sec.

## 1.2 Top Shot System Requirements

When used correctly, NOS nitrous oxide injection elevates cylinder pressures and temperatures while increasing the combustion rate. These characteristics make the engine more sensitive to detonation. **To ensure proper performance and engine life, the following is an absolute must:**

### □ Adequate Fuel Pressure and Delivery

Most carburetors are designed to operate at 5 psi to 10 psi. When purchasing your fuel system components, plan on your pumps and lines flowing at least 0.10 gallons per hour per horsepower at 5 psi.

**NOTE:** Most fuel pumps are rated at free-flowing conditions—at 5 psi fuel pressure, their flow rates may be greatly reduced.

## 1.3 Kit Components

Before beginning the installation of your NOS kit, compare the components in your kit with those shown in Figure 1, and listed in Table 2. If any components are missing, please contact NOS Technical Support at 1-866-GOHOLLEY.

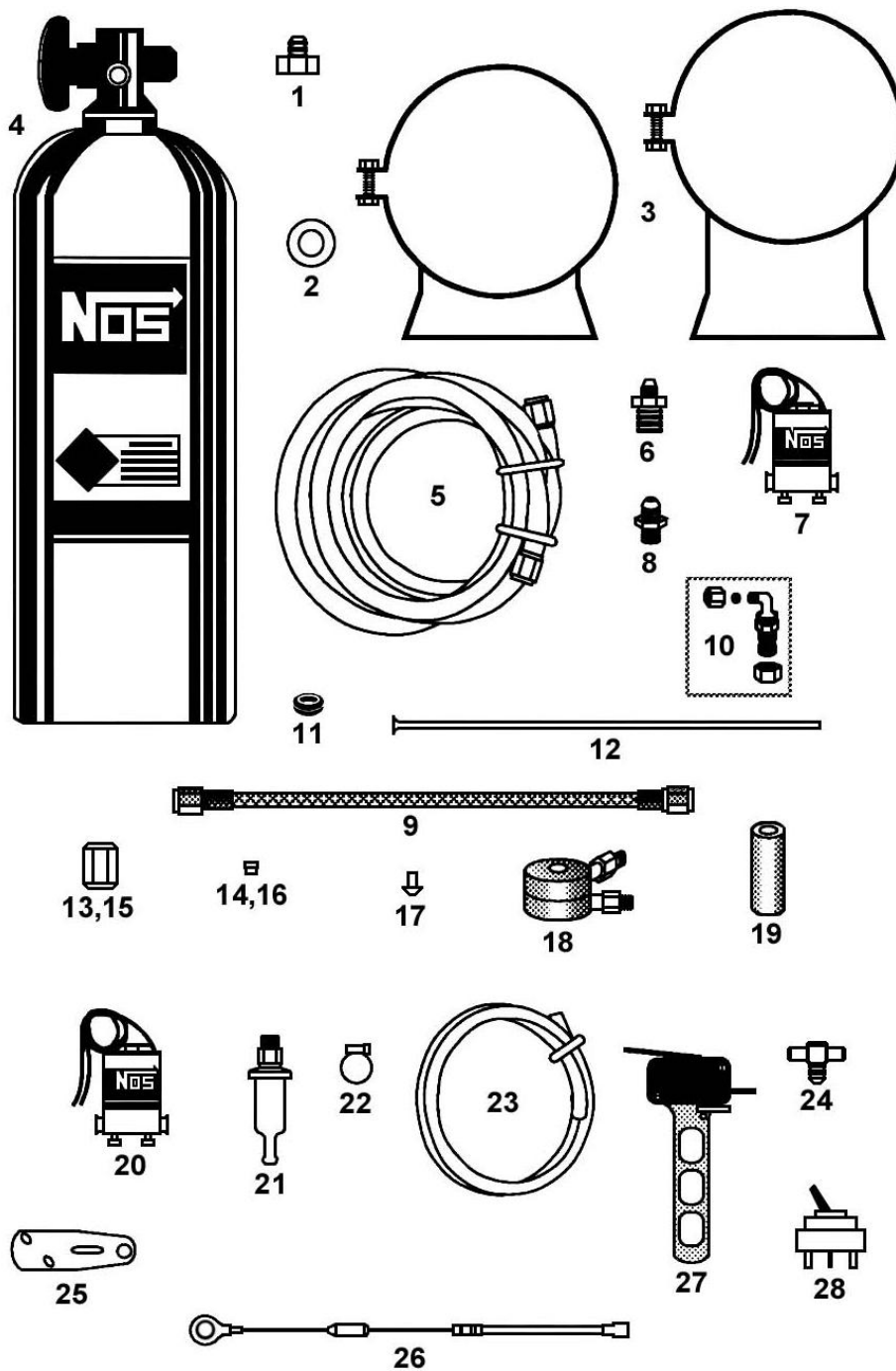
**Table 2 Top Shot Parts List (Kit 05090NOS)**

Item	Description	Quantity	NOS P/N
(1)	4AN Bottle Nut Adapter	1	16220NOS
(2)	Teflon Bottle Nut Washer	1	16210NOS
(3)	Bottle Bracket Set (Nylon)	1	14125NOS
(4)	Bottle 10 lb.	1	14745NOS
(5)	4AN x 14 ft. Nitrous Supply Line	1	15295NOS
(6)	4AN x 1/8" NPT Nitrous Filter	1	15570NOS
(7)	Nitrous PowerShot Solenoid	1	16020NOS
(8B)	4AN x 1/8" NPT Adapter (Blue)	1	17960NOS
(8R)	4AN x 1/8" NPT Adapter	1	17961NOS
(9B)	4AN x 3AN 1 ft. Hose (Blue)	1	15340NOS
(9R)	4AN x 3AN 1 ft. Hose (Red)	1	15341NOS
(10B)	3AN x 3/16" Compression Bulkhead (Blue)	1	17352-SNOS
(10R)	3AN x 3/16" Compression Bulkhead (Red)	1	17353-SNOS
(11)	Rubber Grommet	1	16899-SNOS
(12)	12" Solenoid Extension Tube	2	16360-SNOS
(13)	3AN x 1/8" B-Nut (Blue)	1	17550NOS
(14)	3AN x 3/16" Sleeve (Blue)	1	17600NOS
(15)	3AN x 1/8" B-Nut (Red)	1	17551NOS
(16)	3AN x 3/16" Sleeve (Red)	1	17601NOS
(17)	Flare Jet Assortment*	1	*
(18)	Top Shot Module	1	13400NOS
(19)	Top Shot Module Spacer	1	16400-SNOS
(20)	Fuel PowerShot Solenoid	1	16080NOS
(21)	Fuel Filter 5/16" Hose x 1/8" NPT	1	15540NOS
(22)	3/4" Hose Clamp	4	36R646A
(23)	5/16" x 2 ft. Fuel Hose	1	15000-SNOS
(24)	5/16" Brass Fuel TEE	1	15534NOS
(25)	Solenoid Mounting Bracket	2	16505NOS
(26)	Thermal Safety Switch	1	15616NOS
(27)	Throttle Microswitch	1	15640NOS
(28)	Toggle Arming Switch**	1	15602NOS

\*Item #17 includes: 13750-47NOS, 13750-53NOS, 13750-55NOS, 13750-61NOS, 13750-73NOS, & 13750-82NOS

\*\*Wiring, connectors, and in-line fuse also supplied.

Figure 1 Top Shot System Kit Components



## Chapter 2 Kit Installation

### 2.1 Bottle Mounting Instructions

**NOTE:** Disconnect the battery ground before beginning installation.

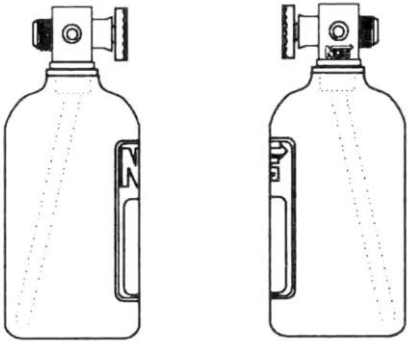
#### 2.1.1 Street Vehicles

Accurate calibration of your NOS nitrous system depends on the bottle remaining at a stable temperature. In vehicles (such as Corvettes) where the bottle must be mounted in an area subject to direct sunlight, it is suggested that the bottle be shielded with a bottle blanket. Additionally, if the bottle is mounted inside the passenger compartment, the safety blow-down valve must be vented externally from the cockpit. This procedure will prevent the passenger compartment from filling with a cloud of nitrous oxide if the safety pressure relief cap should happen to rupture for any reason.

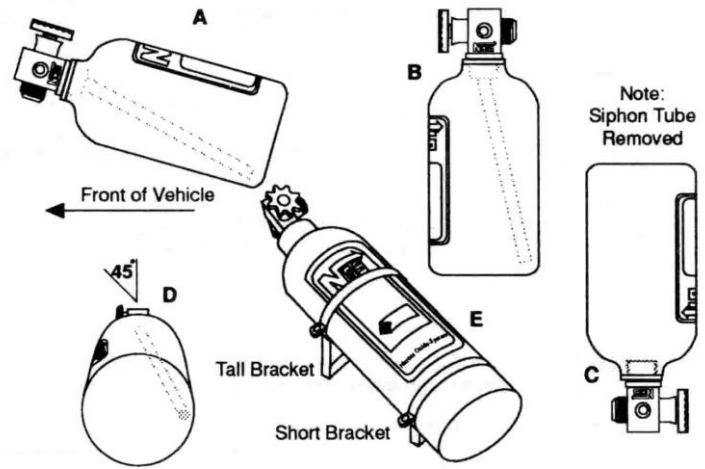
## 2.1.2 Racing Vehicles

Before mounting a nitrous bottle in a racing vehicle intended for use in sanctioned events, check with the sanctioning association for any rules regarding this subject. Most associations require the bottle to be mounted within the confines of the safety roll cage with the safety pressure relief cap vented away from the driver's compartment.

**Figure 2 Nitrous Bottle Siphon Tube Orientation**



**Figure 3 Nitrous Bottle Mounting Orientations**



## 2.2 Bottle Orientation

Bottle placement is critical to the performance of your NOS nitrous system. It is important to understand how the bottle valve and siphon tube are assembled to properly orient the bottle in your vehicle and ensure that it picks up liquid nitrous while undergoing acceleration. All NOS nitrous bottles are assembled so that the bottom of the siphon tube is at the bottom of the bottle and opposite the bottle label (Figure 2).

Whenever the bottle is mounted in a lay-down position, the valve handle must be towards the front of the vehicle with the label facing up (Figure 3A).

If the bottle is mounted vertically, the valve handle and label must face toward the front of the vehicle (Figure 3B). This orientation will position the siphon tube at the back of the bottle where the liquid  $N_2O$  will be during acceleration.

**WARNING! DO NOT attempt to remove the siphon tube without completely emptying the bottle of all nitrous and pressure. Failure to completely empty the bottle will result in an explosive condition causing injury or death.**

A bottle mounted upside-down must have the siphon tube removed before use (Figure 3C). Non-siphon bottles can be specially ordered from NOS.

If the bottle must be mounted parallel to the axles of the vehicle (sideways), the valve handle and label must be angled at approximately  $45^\circ$  toward the front of the vehicle (Figure 3D). This orientation will position the siphon tube toward the rear of the bottle.

**NOTE:** When using a bottle with a siphon tube, the tall bracket should be at the valve end of the bottle and the short bracket at the bottom (Figure 3E).

The most efficient mounting is the lay-down position (Figure 3A) with the valve handle toward the front of the vehicle. This position allows the greatest amount of liquid to be used before the siphon tube begins to pick up gaseous nitrous oxide.

## 2.3 Bottle Installation

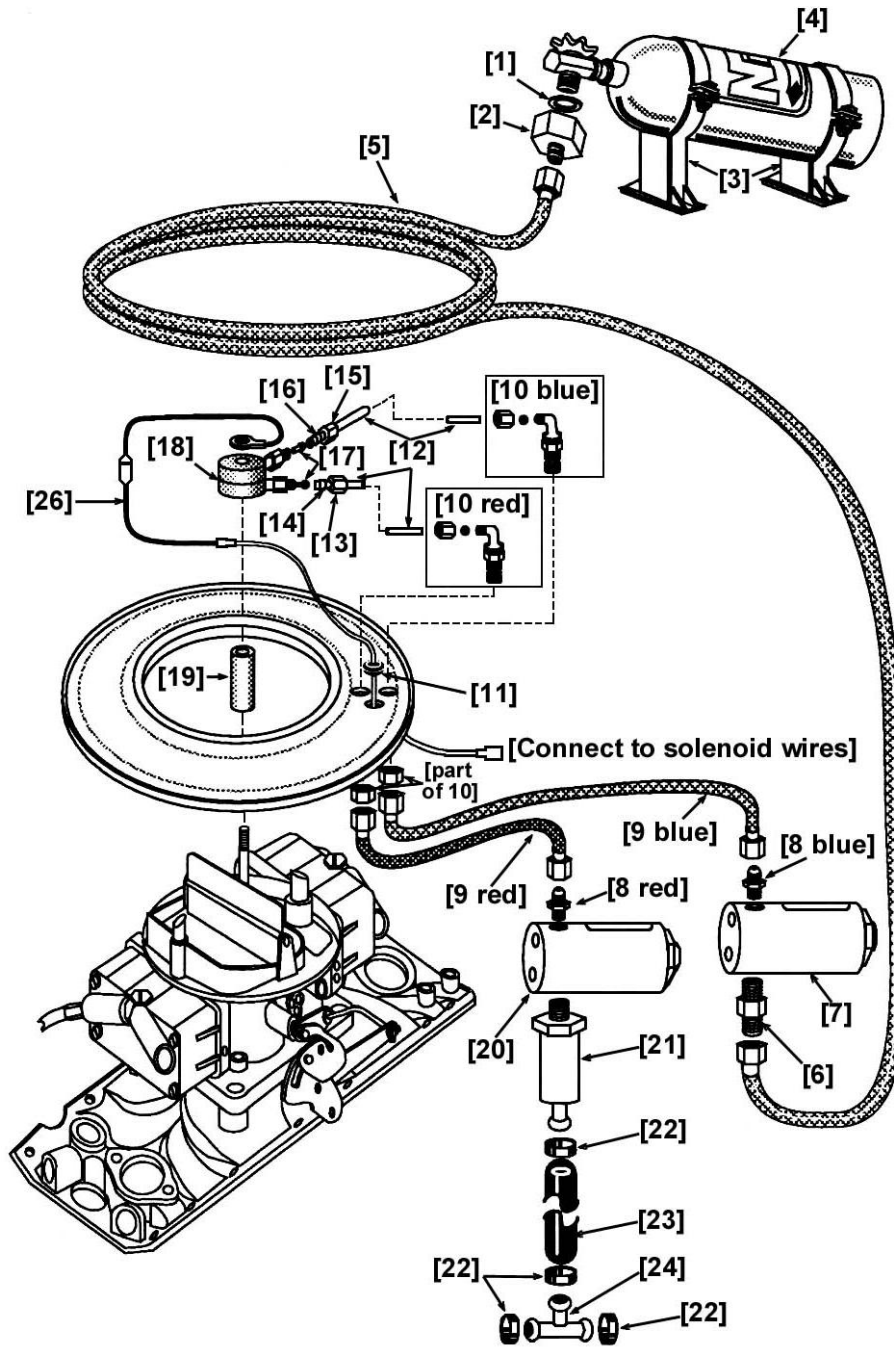
After you have determined the location and orientation of the nitrous bottle, use the following procedure to install the bottle:

**NOTE:** Numbers in parentheses ( ) refer to the parts list /assembly drawing number for the component (Figure 1). Figure 4 shows the installation assembly for the Top Shot Kit 05090NOS.

1. Install the bottle nut adapter (1) and washer (2) on the nitrous bottle (4), and tighten securely.
2. Loosely install the bottle mounting brackets (3) on the nitrous bottle.
3. Locate the bottle assembly in the desired mounting location, ensuring that the location will provide easy access to the bottle valve, hose connection, and bracket clamp bolts to facilitate bottle changing.
4. Use the assembled bottle/bracket unit as a pattern to mark and drill four  $5/16$ " holes in the mounting surface.

5. Mount the brackets securely to the surface (recommended minimum of 5/16" bolts or No. 12 sheet metal screws).
6. Tighten the bracket clamps on the bottle.

**Figure 4 Competition Cheater System Assembly Drawing**

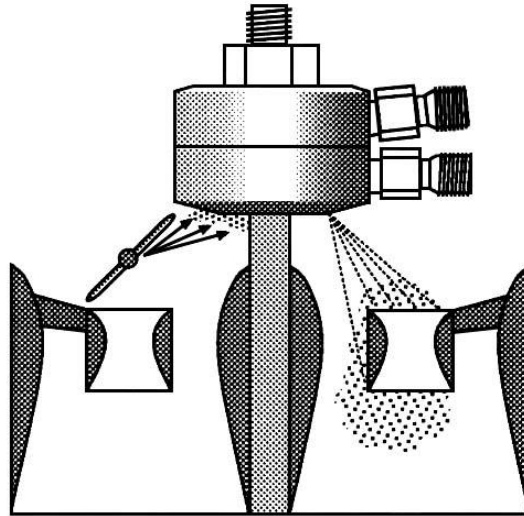


## 2.4 Top Shot Module Installation

**CAUTION!** The Top Shot Module is intended only for use with carburetors that feature mechanical secondaries. This unit should not be installed on carburetors with vacuum secondaries, such as Rochester Quadrajets. Attempting to do so could result in an engine fire.

1. Remove the air cleaner lid and filter element.
2. Place the Top Shot Module Spacer (19) on the air cleaner hold-down stud.

**Figure 4A Top Shot Module Mounting Height**



3. Place the Top Shot Module (18) on the air cleaner stud. Examine the module to ensure that the following conditions are met.
  - 3A. Module does not interfere with the operation of the carburetor choke.
  - 3B. **IMPORTANT!** The Top Shot Module mounting height must be such that flow from the outlet ports of the module are aimed directly into the carburetor venturis. **Flow from the module must not pass directly through the carburetor boosters.** (See Figure 4A.) Doing so will result in an overly rich condition during nitrous operation.
  - 3C. The top of the module and module outlet fittings do not interfere with the air cleaner lid.
4. Remove and modify the Top Shot Module Spacer, as required. Reinstall.

## **2.5 Solenoid Installation**

Use the following procedure to install the nitrous solenoid (7) and fuel solenoid (20). See Figure 4 for an illustration of part installation.

**NOTE:** Remember to use Teflon paste **only** on pipe threads.

### **2.5.1 Nitrous Bulkhead Installation**

1. Select and mark the mounting location in the air cleaner base for the blue nitrous bulkhead fitting (10).

**NOTE:** When selecting bulkhead-mounting locations, make sure that fittings and related hoses will clear carburetor and linkage assemblies.

2. Drill and deburr a 3/8" diameter through hole at the marked location.
3. Install the nitrous bulkhead fitting in the desired location.
4. Install the blue 3AN x 3/16" sleeve (14) and the blue B-Nut (13) on a 12" solenoid extension tube (12).
5. Select the desired nitrous jet (17) and insert in the Top Shot Module nitrous inlet port.
6. Loosely install the solenoid extension tube / B-Nut assembly on the nitrous port of the Top Shot Module.
7. Bend the solenoid extension tube, as required, to reach the outlet port of the nitrous bulkhead fitting.
8. Remove the solenoid extension tube. Cut to length and deburr.
9. Install the brass B-Nut and ferrule on the cut end of the solenoid extension tube.
10. Install the solenoid extension tube and tighten both ends securely.

## 2.5.2 Fuel Bulkhead Installation

1. Select and mark the mounting location in the air cleaner base for the blue nitrous bulkhead fitting (10).

**NOTE:** When selecting bulkhead mounting locations, make sure that fittings and related hoses will clear carburetor and linkage assemblies.

2. Drill and deburr a 3/8" diameter through hole at the marked location.
3. Install the fuel bulkhead fitting in the desired location.
4. Install the red 3AN x 3/16" sleeve (16) and the red B-Nut (15) on a 12" solenoid extension tube (12).
5. Select the desired fuel jet (17) and insert in the Top Shot Module fuel inlet port.
6. Loosely install the solenoid extension tube / B-Nut assembly on the fuel port of the Top Shot Module.
7. Bend the solenoid extension tube, as required, to reach the outlet port of the fuel bulkhead fitting.
8. Remove the solenoid extension tube. Cut to length and deburr.
9. Install the brass B-Nut and ferrule on the cut end of the solenoid extension tube.
10. Install the solenoid extension tube and tighten both ends securely.

## 2.5.3 Nitrous Solenoid Installation

**CAUTION:** Do not overtighten the vise in the following procedure, or the solenoid will be damaged.

1. Clamp the nitrous solenoid (7) in a bench vise.
2. Install the nitrous filter fitting (6) in the inlet port of the nitrous solenoid.
3. Install a 1/8" NPT x 4AN blue adapter (8) in the outlet port of the nitrous solenoid.
4. Attach the solenoid mounting bracket (25) to the nitrous solenoid.
5. Loosely mount the nitrous solenoid near the base of the carburetor near the bulkhead fitting.
6. Connect the nitrous solenoid outlet port to the bulkhead fitting using the 1 ft. 4AN x 3AN blue nitrous extension hose (9).
7. Tighten the solenoid mount.

## 2.5.4 Fuel Solenoid Installation

**CAUTION:** Do not overtighten the vise in the following procedure, or the solenoid will be damaged.

1. Clamp the fuel solenoid (20) in a bench vise.
2. Install the brass fuel filter (21) in the inlet port of the fuel solenoid.
3. Install a 1/8" NPT x 4AN red adapter (8) in the outlet port of the fuel solenoid.
4. Attach the solenoid mounting bracket (25) to the fuel solenoid.
5. Loosely mount the fuel solenoid at the base of the carburetor near the bulkhead fitting.
6. Install the proper fuel jet (13) in the injector plate (See Table 2) with the beveled edge out.
7. Connect the outlet port of the fuel solenoid to the bulkhead fitting using the 1 ft. 4AN x 3AN red fuel extension hose (9).
8. Tighten the solenoid mount.

## 2.6 Nitrous Feed Line Mounting

**HINT:** Most late model vehicles have access plugs in the trunk floor that are convenient for line routing. Following the fuel lines along the underbody, and entering the engine bay through the front fender well between the plastic inner fender panel and the body usually works well.

1. Determine the route for your nitrous feed line to follow. Ensure that the path is clear of exhaust system, suspension, steering, wheels, electrical lines and components, and tires.
2. Feed the 4AN x 14 ft. nitrous supply line (5) along the proposed route.
3. If it is necessary to support the nitrous supply line under the vehicle, use 1/2" Tinnerman clamps or nylon tie-wraps to support the line securely.
4. Attach the nitrous supply line to the nitrous bottle valve adapter (1).

**WARNING: Nitrous oxide can cause death if inhaled. Severe frostbite can occur if allowed to contact the skin. Always point the nitrous line opening away from people when purging the line.**

5. Purge the nitrous supply line.
  - A. Wrap the end of the nitrous line with a rag and hold securely.
  - B. Point the opening away from people.
  - C. Briefly open the bottle valve.
6. Attach the nitrous supply line to the nitrous solenoid (8) inlet port.

## 2.7 Auxiliary Fuel Line Installation

Under most operating conditions, it is suggested that a separate 3/8" fuel line and pump be dedicated to the nitrous system. If you choose to use a single-line fuel system to feed both the engine and the nitrous system, follow these instructions, but remember—at higher power levels, this fuel system may be inadequate.

To install the supplied 5/16" x 2 ft. auxiliary fuel hose (23):

1. Choose the location where the primary fuel line is to be tapped.
2. Cut and deburr the primary fuel line.
3. Install the brass 5/16" fuel line TEE fitting (24) in the primary fuel line.
4. Connect the brass TEE fitting to the fuel filter installed in the inlet port of the fuel solenoid using the auxiliary fuel hose (23) and the fuel hose clamps (22).

## 2.8 Electrical System Installation

Refer to the wiring schematic (Figure 6) for the electrical system installation.

**WARNING! Death or injury may occur from working on a charged electrical system**

1. Disconnect the car battery at the ground cable (if not already done).

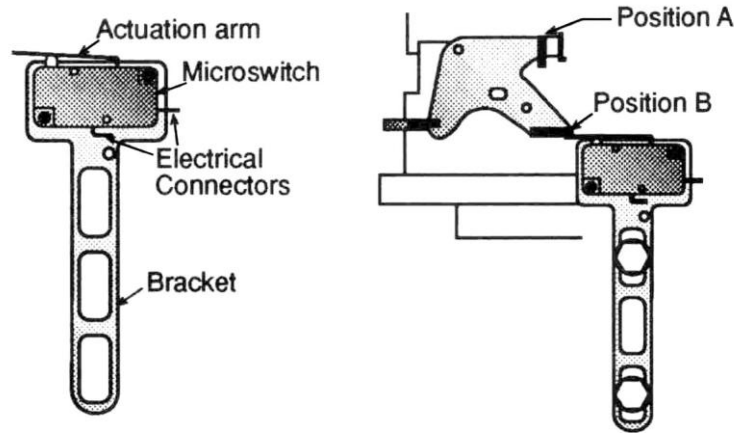
**WARNING! Binding or dragging of the throttle linkage will create a potentially dangerous stuck-throttle condition. Ensure that the microswitch does not interfere with normal throttle linkage operation.**

2. Install the throttle microswitch (27) as follows:

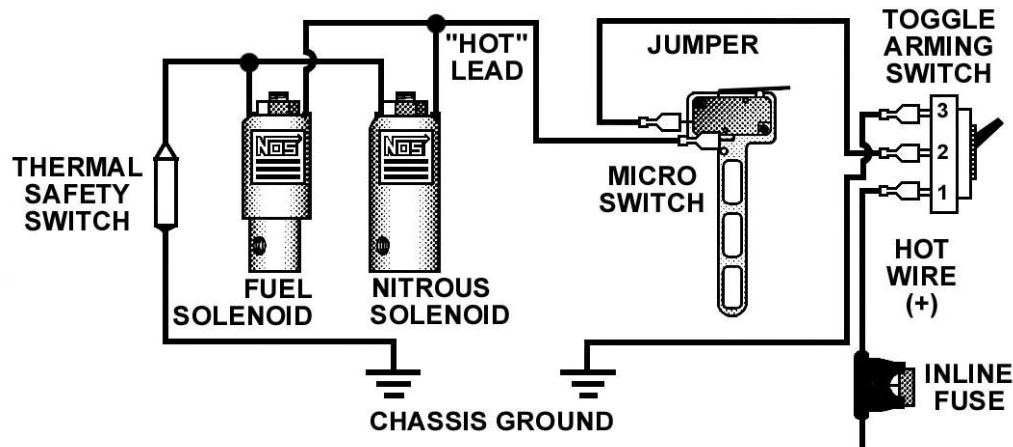
**HINT:** The microswitch may be mounted to the bracket in a variety of positions and on either side of the bracket. The bracket may be bent to suit the application.

- A. Mount the throttle microswitch on the carburetor so that the throttle linkage movement triggers the microswitch.
- B. Adjust the microswitch to trigger at wide-open throttle by adjusting the microswitch's position to ensure the actuation arm of the microswitch "clicks" at the same point your throttle linkage reaches wide-open throttle against the throttle stop (Position 5A).
- C. Ensure that the microswitch is activated by the accelerator pedal: Slowly press the throttle to the floor while you listen for the "click" of the microswitch (Position 5B).

**Figure 5 Throttle Microswitch Installation**



**Figure 6 Wiring Schematic**



3. Install the Toggle Arming Switch (28) within easy reach of the driver.
  4. Connect terminal #1 on the arming switch to an ignition switched +12V source, using the fused red wire provided.
- NOTE:** When selecting an ignition switched +12V source, ensure that your source is capable of handling the amperage of the fuse provided by NOS.
5. Connect terminal #2 of the arming switch to one post of the throttle microswitch (either post will do), with the blue wire provided.
  6. Connect terminal #3 of the arming switch to the ground. (You may elect to skip this step. If you do so, the light in the arming switch will not illuminate when the system is armed).
  7. Connect the open post of the microswitch to one wire from each solenoid (either wire will do, the solenoids are not polarized), using the blue wire provided.
  8. Drill a 5/16" hole in the air cleaner base for the Thermal Safety Switch "TSS" (26). Install the rubber grommet (11) in the TSS pass-through hole.
  9. Install the TSS on the carburetor stud and secure it with a nut, as shown in Figure 4.
- NOTE:** Due to the large number of thread pitch / diameter combinations used for air cleaner studs, a retention nut is not supplied with this kit.
- NOTE:** It is not critical to mount the TSS directly over a carburetor venturi. Locating the TSS within 1 inch of a venturi will ensure proper operation in the event of a carburetor fire.
10. Connect the open lead from the TSS to the remaining open solenoid wires.
- NOTE:** If the TSS becomes tripped by a fire, the switch must be replaced with a comparable unit available from NOS. To determine if a switch has been tripped, examine the unit with a volt-ohm meter. If continuity does not exist between the inlet and outlet leads, replace the switch.

## Chapter 3 Baseline Tuning Suggestions

Your NOS Top Shot Kit comes with three sets of nitrous and fuel jets. These are conservative jetting combinations, based upon 900 psi nitrous oxide bottle pressure and 5 to 6 psi flowing fuel pressure. Operating with these pressure levels should yield safe and reliable power increases.

Using these jetting combinations with lower bottle pressure and/or higher fuel pressure may produce an excessively rich condition. This can result in a loss of power, excessive exhaust smoke (black), or misfiring (backfiring through the exhaust). This condition may also arise if your carburetor is jetted excessively rich.

If you experience any of these conditions, or you desire to maximize the power output from your system, refer to Chapter 5, "Advanced Tuning for Maximum Power".

**CAUTION: Use of excessive bottle pressure and/or inadequate fuel pressure can result in an excessively lean condition. In extreme cases, this will produce catastrophic engine failure.**

**Table 3 Suggested Baseline Tuning Combinations**

Jetting N <sub>2</sub> O/Fuel	Fuel Quality	Ignition Timing	Spark Plug Heat Range
47/53	92+ octane pump gas	Standard	Standard
55/61	92+ octane pump gas with octane booster	Standard to 2° ignition retard	Standard to 1 heat range colder
73/82	92+ octane pump gas with octane booster or 100+ octane (R+M/2) racing fuel	2° ignition retard	Decrease heat range 1-2 steps

At the Stage III jetting level (73/82 jetting), the Top Shot nitrous solenoid is flowing at maximum capability. Increasing jetting levels beyond this point will not provide a performance increase.

## Chapter 4 Preparing for Operation

After you have completed the installation of your NOS Top Shot kit, perform the following checkout procedure before operating your vehicle.

**NOTE:** Before performing steps 1-4, make sure that the nitrous bottle valve is closed and the main nitrous supply line is empty.

1. Turn on the fuel pump.
2. Check all the fuel lines and fittings for leaks.
3. Start the engine.
4. Turn the arming toggle switch on. Set the engine speed at 2000 RPM. Briefly depress the activation arm on the microswitch. Engine speed should decrease if the fuel delivery system is performing properly; if not, refer to Appendix A, Troubleshooting Guide.
5. Open the nitrous bottle valve.

**NOTE:** There should be no change in the engine idle speed. If idle speed changes, refer to Appendix A, Troubleshooting Guide.

6. Inspect the nitrous lines and fittings for leaks.
7. ENJOY!

## Chapter 5 Advanced Tuning for Maximum Power

### 5.1 Optimum Nitrous/Fuel Jetting

After performing the Baseline Tuning Suggestion—Chapter 3, if you desire to maximize the performance of your system, perform the following:

**NOTE:** Always perform the nitrous/fuel jetting modifications listed in Section 5.1.1 before attempting to optimize the ignition timing (Section 5.1.2). Improper nitrous/fuel jetting combinations can mislead you when attempting to optimize the ignition timing.

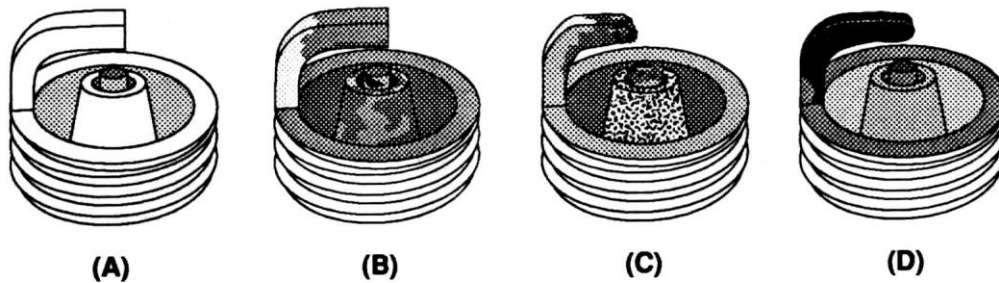
#### 5.1.1 Determining Optimum Nitrous/Fuel Jetting

The jetting combinations included in your kit are compromises, intended to provide you with a safe starting point. They are intended to be used with 900 psi nitrous bottle pressure and 5-6 psi flowing fuel pressure. In many instances, installing slightly smaller fuel jets than the units provided in your kit will provide a more optimum nitrous/fuel ratio and increase power.

Always run the baseline jetting included in your kit before attempting to decrease fuel jet size. Optimum jetting can be determined using the following scheme.

1. Stabilize the nitrous bottle pressure at 900 psi.
2. Perform a dynamometer pull or a full throttle pass down the racetrack. Note the power reading or vehicle mph (not e.t.). Examine the spark plugs for the indication of lean or rich nitrous/fuel conditions (refer to Figure 7 for tips on reading the spark plugs).
  - 2A. If spark plugs appear to be excessively rich, decrease the fuel jet size 2 steps (ex. 61 to 59, 82 to 80, etc;).
  - 2B. If spark plugs appear to be excessively lean, increase the fuel jet size 2 steps.
  - 2C. If spark plugs have a “like new” appearance on the porcelain and electrode, do not make a fuel jetting change.
3. Repeat steps 1 and 2 until the desired mixture is obtained.

**Figure 7 Spark Plug Condition**



#### How to Read Spark Plugs from a Nitrous Oxide Injected Engine

##### A. Correct Timing, Mixture, and Spark Plug Heat Range

Ground strap retains a “like new” appearance. Edges are crisp, with no signs of discoloration. Porcelain retains clear white appearance with no “peppering” or spotting.

##### B. Excessively Rich Mixture

Porcelain may be fuel stained, appearing brown or black. In extreme cases, ground strap, electrode, and porcelain may be damp with gasoline, or smell of fuel.

##### C. Detonation

Edges of the ground strap may become rounded. Porcelain has the appearance of being sprinkled with pepper, or may have aluminum speckles. During heavy detonation, the ground strap tip may burn off. This phenomena can result from excessive ignition timing, too high a heat range spark plug, or inadequate fuel octane.

##### D. Excessively Lean Mixture

Edges of the ground strap may become rounded. Under moderate overheating, the tip of the ground strap can discolor, usually turning purple, or the entire ground strap can become discolored.

## 5.1.2 Determining Optimum Ignition Timing

**IMPORTANT!** For maximum performance, ignition timing should be retarded approximately 2 degrees per 50 HP increase due to nitrous oxide injection. Start with the engine's best total timing and reduce from there. Use the initial settings, which are 2-3 degrees more retarded than you expect to be optimum.

**Example:**

Ignition Timing with Nitrous-----	38°
100 HP Increase from Nitrous-----2°/50HP-----	4° Retard
Initial Safety Margin-----	<u>2° Retard</u>
Initial Timing with Nitrous-----	32°

The following scheme for determining ignition timing should allow you to determine the optimum setting for your vehicle, without incurring engine damage during the tuning phase.

1. Estimate the reduced ignition timing that you think will produce the best power, based upon the 2 degree retard per 50 horsepower increase rule.
2. Set the ignition timing 2 to 3 degrees retarded from your best power estimate setting.
3. Stabilize the nitrous bottle pressure at 900 psi.
4. Perform a dynamometer pull or a full throttle pass down the racetrack. Note the power reading or vehicle mph.
5. Increase the ignition timing 2 degrees.
6. Perform a dynamometer pull or a full throttle pass down the racetrack. Note the power reading or vehicle mph. Examine the spark plugs for signs of detonation (refer to Figure 7 for tips on reading spark plugs).
  - 6A. If power increase or vehicle mph increase **and** spark plugs show no sign of overheating or detonation, increase the ignition timing 2 degrees.
  - 6B. If power increase or vehicle mph increase **and** spark plugs begin to show slight signs of detonation—**STOP**. Do not advance the timing further. You may choose to reduce the timing 2 degrees at this point for an extra margin of safety.
  - 6C. If power decreases or vehicle mph decreases, reduce the ignition timing 2 degrees.
7. Repeat step 6 until optimum ignition timing is obtained.

## Chapter 6 Routine Maintenance

### 6.1 Nitrous Solenoid Filter

When nitrous bottles are refilled they can become contaminated with debris, if the refiller does not have an adequate filter in his transfer pump mechanism. Contaminants in the bottle will eventually become lodged in the nitrous solenoid filter fitting.

You should periodically (after every 20-30 pounds of nitrous usage) examine the mesh in the nitrous filter for debris.

To clean the filter, follow the following steps:

1. Close the valve on the nitrous bottle.
2. Empty the main nitrous feed line.
3. Disconnect the main nitrous feed line from the nitrous solenoid.
4. Remove the nitrous filter fitting from the nitrous solenoid.
5. Remove **all** Teflon paste debris from the solenoid inlet port threads and from the nitrous solenoid filter pipe threads.
6. Examine the mesh in the nitrous filter fitting for contaminants. Blow out debris with compressed air, if necessary.
7. Apply fresh Teflon paste to the nitrous filter pipe threads. Reinstall the filter in the nitrous solenoid.
8. Reconnect the main nitrous supply line to the nitrous solenoid.

## 6.2 Nitrous Solenoid Plunger

### 6.2.1 General Information

The seals used in NOS nitrous solenoid plungers are constructed from materials, which are designed to be used with nitrous oxide. When kept free from fuel contaminants or from overpressurization, they should provide trouble free performance.

You should periodically (after every 20-30 pounds of nitrous usage) examine the seal in the nitrous solenoid plunger.

The seals used in NOS nitrous solenoid plungers are designed to work at pressures up to 1100 psi. Exposing the plunger to excessive pressure (whether the vehicle is sitting or in-use) can result in the seal in the plunger swelling or in extreme cases disintegrating.

**NOTE:** The seals are designed so that if they fail due to overpressurization, they will not leak, the valve will just fail to flow nitrous oxide.

Swelling of the nitrous solenoid plunger seal will reduce nitrous flow (causing an excessively rich nitrous/fuel condition and a loss of power).

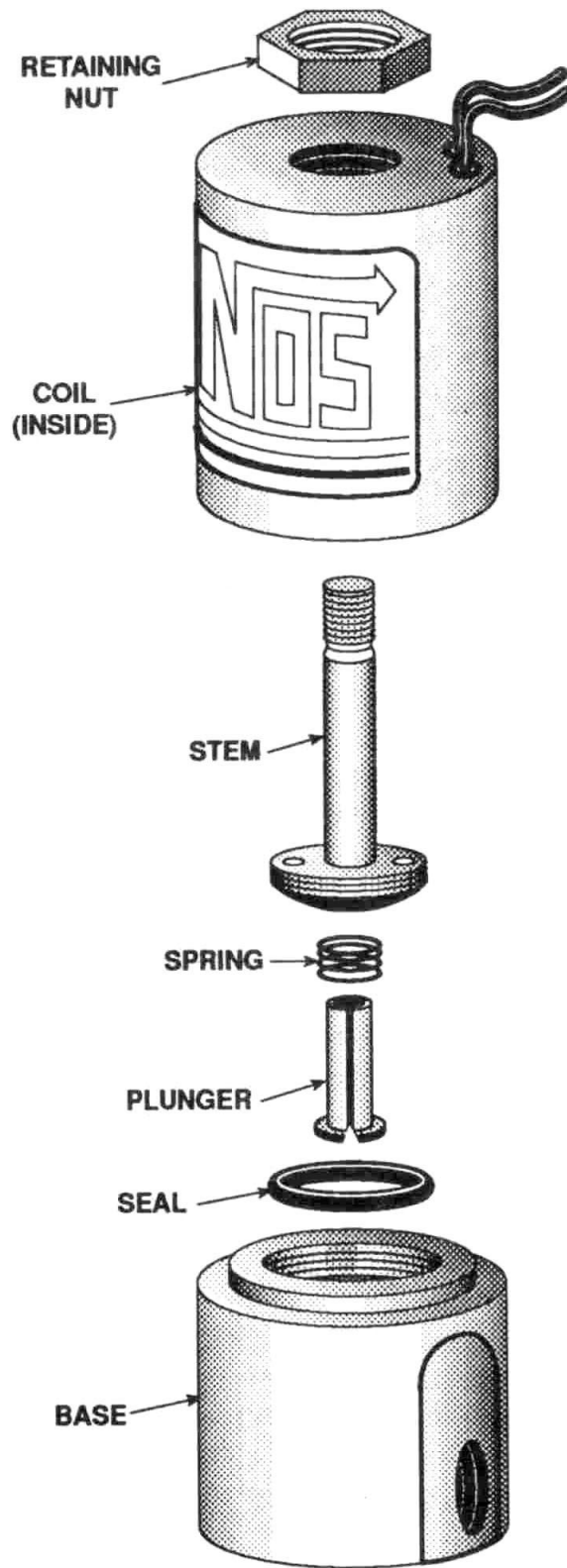
### 6.2.2 Nitrous Solenoid Plunger Disassembly and Inspection

1. Close the valve on the nitrous bottle.
2. Empty the main nitrous supply line.
3. Remove the retaining nut from the nitrous solenoid.
4. Remove the coil and housing from the nitrous solenoid base.
5. Unscrew the stem from the nitrous solenoid base. Do this by double nutting the stem, or by using a solenoid stem removal tool (NOS P/N 16665-SNOS). **Do not use pliers on the solenoid stem. Damage to the stem will result.**
6. Remove the stem, spring, and plunger from the solenoid base.
7. Examine the plunger seal for swelling. The seal surface should be flat, except for a small circular indentation in the center of the seal;

A fuel-contaminated seal will protrude from the plunger and be dome-shaped. A fuel-contaminated seal may return to its original shape if left out in the fresh air for several days. It may then be returned to service.

A seal, which has been overpressurized, may be dome-shaped, or the sealing surface may be flat with the seal protruding out of the plunger. A dome-shaped seal may return to its original shape if left out in the fresh air for several days. It may then be returned to service. A seal, which is flat, but protrudes from the plunger body has probably failed internally and should be replaced.

Figure 8 Exploded View of a Typical Solenoid



## Appendix A Troubleshooting Guide

The troubleshooting chart on the following pages should help determine and rectify most problems with your installed NOS system. If you still need assistance determining or fixing problems, call the NOS Technical Support at 1-866-GOHOLLEY.

PROBLEM	POSSIBLE CAUSES	DIAGNOSTIC PROCEDURE	CORRECTIVE ACTION
No change in engine speed when the fuel solenoid is activated (Preparing for Operation—Chapter 4).	System wired incorrectly.	Compare wiring to schematic (Figure 6).	Wire per instructions.
	Restricted fuel line.	Inspect fuel line for restrictions (crimped or plugged).	Remove restrictions.
	Malfunctioning fuel solenoid.	Turn arming switch ON. Activate microswitch. Solenoid should make “clicking” noise.	Repair/replace solenoid.
Change in engine speed when nitrous bottle valve is opened (Preparing for Operation—Chapter 4).	Malfunctioning nitrous solenoid.	Remove and inspect solenoid.	Repair/replace solenoid.
Engine runs rich when system is activated.	Bottle valve not fully opened.	Check bottle valve.	Open valve fully.
	Bottle mounted improperly.	Check bottle orientation.	Mount bottle properly.
	Plugged nitrous filter.	Inspect filter.	Clean/replace filter.
	Low bottle pressure.	Check bottle temperature.	Set bottle temperature to 80° to 85°F.
	Inadequate nitrous supply.	Weigh bottle.	Fill bottle. 1-800-99-REFILL
	Mismatched N <sub>2</sub> O/fuel jetting.	Compare jetting to recommended values.	Install correct jets.
	Excessive fuel pressure.	Install fuel pressure gauge, such as NOS P/N 15931NOS, in the fuel line. Measure the pressure during acceleration with the system activated.	Regulate pressure down, or install smaller fuel jetting.
	Loose nitrous solenoid wiring.	Inspect the solenoid wiring.	Repair wiring.
Malfunctioning nitrous solenoid.	<b>WARNING:</b> <i>Solenoid discharges nitrous at a high rate. Don't inhale nitrous; death may occur. Skin contact may cause frostbite.</i> Close bottle valve. Disconnect the nitrous solenoid outlet port. Disconnect the solenoid (+) lead. Open the nitrous bottle valve. Briefly connect the +12V to the solenoid. Solenoid should discharge N <sub>2</sub> O at a high rate.	Rebuild solenoid.	
No change in performance when system is activated.	System wired incorrectly.	Compare nitrous wiring to schematic.	Wire system per instructions.
	Loose ground wire(s).	Connect 12V test light to battery (+) terminal. Check for continuity at grounds noted in schematic.	Tighten/repair loose grounds.
	Malfunctioning Thermal Safety Switch	Examine switch for continuity.	Replace switch.
	No power to arming switch.	With vehicle ignition ON, connect 12V test light to battery (-) terminal. Check for power at pole #1 on arming switch.	Repair wiring.
	Malfunctioning arming switch.	With vehicle ignition ON, turn arming switch ON. Connect 12V test light to battery (-) terminal. Check for power at red wire on arming switch.	Replace arming switch.
	Overly rich fuel condition.	Check for black smoke or backfiring through exhaust with system activated.	Install smaller fuel jet or decrease fuel pressure.
	Malfunctioning throttle microswitch.	Turn toggle arming switch OFF. Close throttle microswitch. Check for continuity between microswitch wiring terminals.	Replace throttle microswitch.

Engine detonates mildly when system is activated.	Excessive ignition timing.	Check ignition timing.	Reduce timing in 2° increments, up to 8° from non-nitrous conditions.
	Inadequate octane fuel.		Use higher octane fuel; up to 116VPC-16
	Spark plug heat range too high.		Reduce spark plug heat range (max. 2 steps).
	Too much nitrous flow.		Reduce nitrous jetting.
Engine detonates heavily when system is activated.	Inadequate fuel delivery due to: Plugged fuel filter.	Inspect fuel filter.	Clean or replace fuel filter.
	Crimped fuel line.	Inspect fuel line.	Replace crimped line.
	Weak fuel pump.	Install fuel pressure gauge, such as NOS P/N 15931NOS. Run engine under load at wide-open throttle, with system activated.	Repair/replace fuel pump.
High-RPM misfire when system is activated.	Excessive spark plug gap.	Inspect spark plugs.	Set spark plug gap at 0.030 to 0.035"
	Weak ignition/ignition component failure.	Inspect components (plug wires, distributor cap, etc.)	Replace worn components.
Surges under acceleration when system is activated.	Inadequate supply of nitrous.	Check bottle weight.	Replace bottle.
	Bottle mounted incorrectly.	Compare bottle position and orientation to instructions.	Mount or orient bottle correctly.

## Nitrous Oxide Accessories

NOS systems are calibrated for optimum performance with a bottle pressure of 900-950 psi. The pressure will change with temperature. Heater kits are thermostatically controlled to keep the bottle near 85° F to provide correct pressure. **Bottle Heater (P/N 14164NOS)** is available for 10 & 15 lb. bottles.

Insulating the bottle helps maintain pressure by keeping heat in the bottle when it's cold, or heat out when it's hot outside. The blankets are made of a rugged, easily cleaned Nylon outer shell with insulation. It's also an excellent "dress up" accessory and perfect for "covering" battle-scarred bottles. **Bottle Blanket (P/N 14165NOS)** is a 7" diameter blanket for the 10 lb. bottle.



P/N 14164NOS



P/N 14165NOS

The **Throttle/RPM-Activated Switch (P/N 15879NOS)** allows hands-free nitrous operation and prevents nitrous from being injected at speeds above or below operator-set levels. It greatly reduces the chance of accidental engine damage. The ON/OFF levels adjust from 2000 to 9000 RPM. **NOTE:** P/N 15879NOS is not designed to work on vehicles with distributor-less ignition systems. Call NOS Technical Support for the right RPM-Activated switch for your particular vehicle.

The **Remote Bottle Valve (P/N 16058NOS)** is the perfect convenience accessory—it electronically turns the nitrous bottle on and off with the flick of a switch—no more trips to the trunk. It is also great as a safety shut-off valve. It operates on 12V DC. The complete kit includes hardware and installation instructions.

With the 35 PSI **Adjustable Pressure Switch (P/N 15686NOS)**, you won't be blasting nitrous into the engine if the fuel pressure is below what is required to supply the required extra fuel. This fuel pressure safety switch can be adjusted to any desired setting, but is preset to 35 PSI at the factory.



P/N 15879NOS



P/N 16030NOS



P/N 15686NOS

The primary purpose of a **Purge Valve, P/N 16030NOS**, is to release trapped air or gaseous nitrous from the feed line(s). This helps to ensure consistent performances. And, purging looks cool too!

**Nitrous Pressure Gauges (P/N 15910NOS)** measure from 0-1500 psi (although recommended level is 900-950 psi) and are essential in monitoring the bottle.

The **Quick Release Hinged Aluminum Bracket, P/N 14140NOS**, is available for 10 lb. and 15 lb. bottles. **P/N 14147NOS** is available for the carbon fiber bottle.



P/N 16030NOS



P/N 15910NOS



P/N 14140NOS

For those who want the ultimate in appearance, NOS offers many popular bottles that are fully polished. **P/N 14745-PNOS** is our 10 lb. fully polished bottle.

For optimum weight reduction and distinctive high-tech looks, these DOT-approved NOS carbon fiber-wrapped bottles are it! Weighs about half of the standard bottle (empty). **P/N 14747NOS** has 12.5 lb. capacity.



P/N 14745-PNOS



P/N 14747NOS

To order, contact your local NOS dealer.

#### NOS Technical Support

Phone: 1-866-GOHOLLEY

Fax: 1-270-781-9772

For online help, please refer to the Tech Support section of our website: [www.holley.com](http://www.holley.com)

A5062-SNOS  
Date: 05-06-02